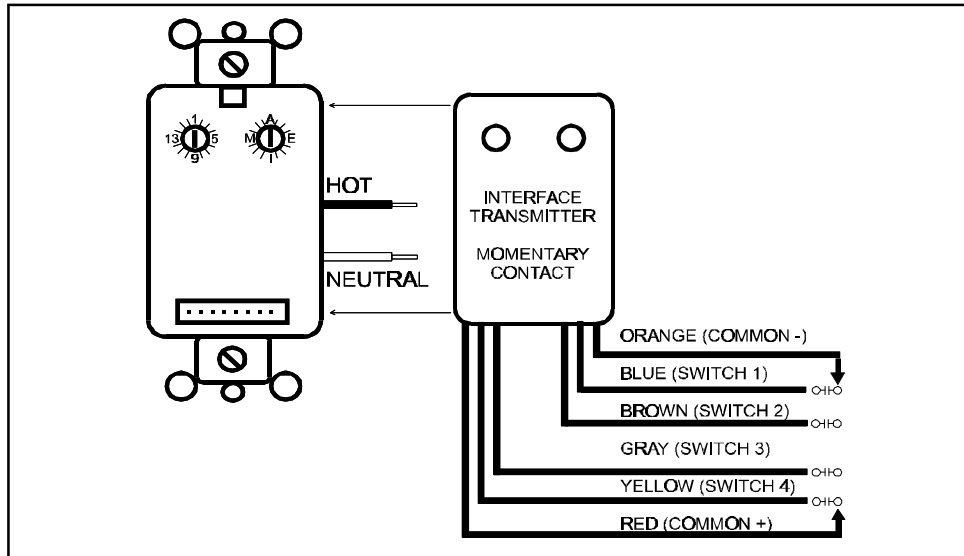


Interface Transmitter w/Momentary Contact XPT3



The XPT3 Interface Transmitter is a wall mounted controller capable of transmitting from a standard, single gang wall box having HOT and NEUTRAL.

Installing the XPT3 Base Controller

Select the location for the XPT3 to be mounted.

In a standard single gang wall box, connect the Black wire from the XPT3 to a 125 VAC hot line and connect the White wire to Neutral.

Note: The XPT3 does not switch any loads, it is a transmitter only.

After you have secured the transmitter to the box, set the House and Unit codes to the desired settings. The red House Code Wheel should be set to match the receiver modules that you will control in the house. The black Unit Code Wheel should be set to the first of a possible four sequential commands.

Orange Wire (common -) When contacted to Blue, Brown, Gray or Yellow wire;

Contact switch held closed: one OFF signal transmitted

Contact switch released: no signal transmitted

Red Wire (common +) When contacted to Blue, Brown, Gray or Yellow wire;

Contact switch held closed: one ON signal transmitted

Contact switch released: no signal transmitted

Note: The unit code that you set will be the Blue wire unit number transmitted. If you use the next three wires sequentially, (Brown, Gray, Yellow), the commands will be the next three sequentially above. Also, the XPT3 automatically monitors the power line for noise and other signal transmissions and will not transmit until the line is clear.