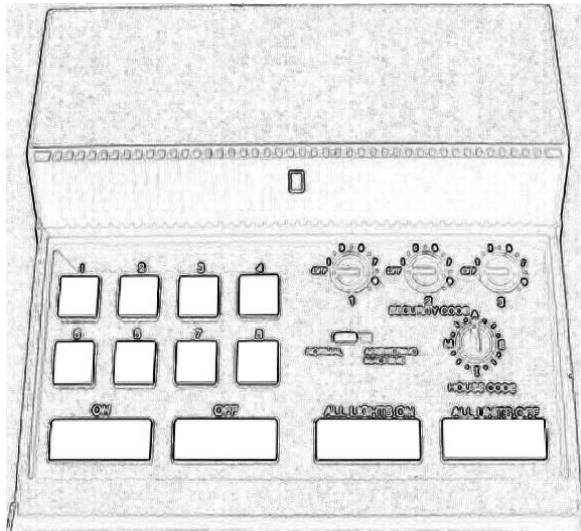


APPLICATIONS

TELEPHONE CONTROLLER TO LIGHTS/APPLIANCES

The PHC05 Telephone Controller is essential to the user who wants to be able to control certain X10 house functions while away from or before arriving home.



Setting them to 000 disables any security.

As an added feature, the last security code wheel setting is also an X10 trigger ON/OFF when ever the phone rings. This can also aid in hard of hearing households, allowing a lamp attached to a Lamp Module or Wall Switch to flash when the telephone rings.

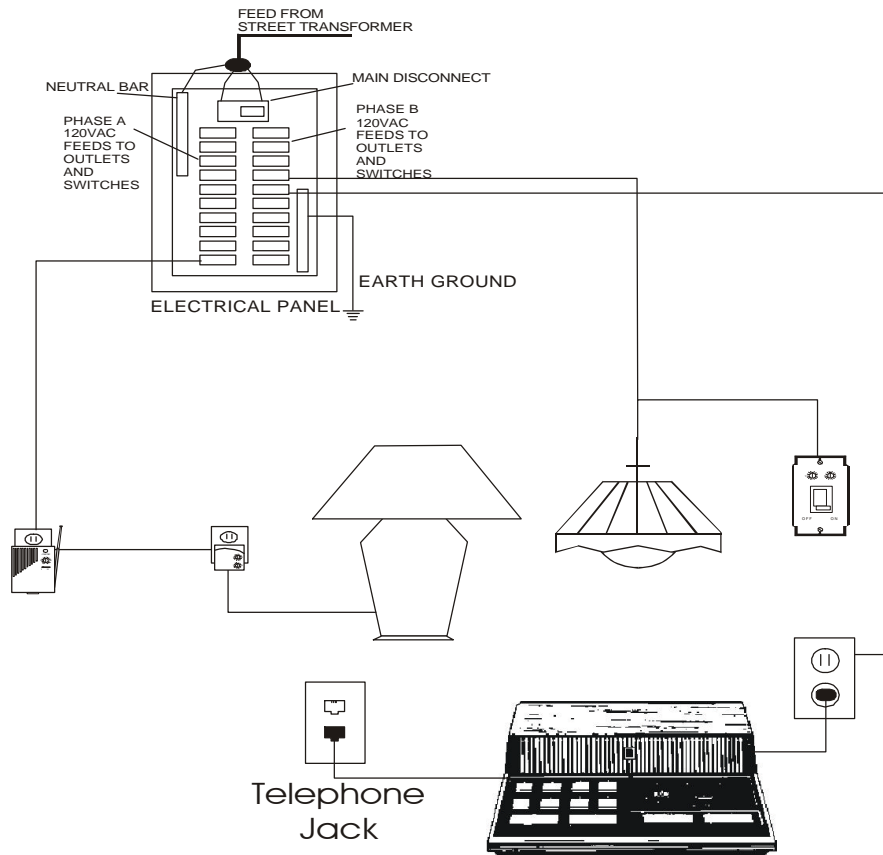
Finally, there are two answering modes found on the control board. Normal will cause the Controller to answer after 6-7 rings without an answering machine present. If you answer on site before the 6-7th ring, the Controller will not pick up the line. The Answering Machine mode causes the Controller to listen for the security code after the answering machine has picked up the line. The security code must be entered before the answering machine finishes.

In either case, after the Controller comes on line, it emits three short beeps. After you enter your security code and follow it up with a Unit code 1-0 plus the command code * for ON and # for OFF, the Controller will send the commands and verify transmission with three

Quick and Easy to set up, the Controller simply plugs into a convenient AC outlet and also to a standard RJ11 telephone jack.

Once connected, set the X10 House Code to the desired setting to match other installed Modules. The Telephone Controller can operate Unit Codes 1-8, ON/OFF, ALL LIGHTS ON/ ALL UNITS OFF directly from its keyboard or Units 1-10 via telephone connection (1-0 on a remote telephone) * for ON and # for OFF.

There are three security code wheels located under the cover of the Controller. Setting these to any combination of 1-0 gives you a security access to the X10 House Controller when calling from a remote location.



APPLICATIONS

short beeps back to the calling party.

Additionally, you can string same command functions for multiple Units; i.e. 1, 3 and 9 followed by a * for ON and all three devices will be grouped for an ON transmission.

Ideally you would want to set your most needed devices Codes between 1-0. This would allow a spread out pattern of lighting around the house to be controlled from the Telephone Controller, rather than all grouped in one or two rooms. Choices could be your front outside lights, Living Room, Kitchen, Garage and Bed Room lights.

But how about making the home "sound" lived in even when you are not there? Choose a TV or Stereo that can stay in the ON position even when unplugged, and plug one or both into a few Appliance Modules (PAM01/PAM02).

Set the House Code on the Appliance Module to match that of the Telephone Controller and the Unit Code to one of 1-10 Unit Codes capable from the Telephone Controller.

Now, when you are going to be away until late in the evening, you can call once or several times and turn ON/OFF various Lights and a Stereo or TV to make any would-be burglar really believe that he can see and hear signs of being home.

ADVANCED TELEPHONE CONTROL

Having greater telephony flexibility, the PPH10 PRO Phone Controller can control all 256 possible X10 Unit Codes, plus X10 Commands; ON/OFF, ALL LIGHTS ON/ALL UNITS OFF, BRIGHTEN/DIM.

Easy to install, the PPH10 must be plugged into the AC power via the supplied AC adapter and a PSC05 Two-Way Powerline Interface which allows it to communicate via the powerline. Finally a standard 2 conductor telephone cord with RJ11 jacks on both ends provides telephone line connection.

Coding for X10 PRO Modules can be programmed for 9, 90, 160 or 256 possible devices. The 256 code spans all the X10 House Codes, A-P, in several segments.

The 9 and 90 codes require the fewest number of digits necessary to control from off premises, however, it also limits you in accessibility to various House and Unit Codes. Setting the 256 code allows the most flexibility.

X10 commands are executed through touch-tones from any telephone in the world, including each telephone in the residence.

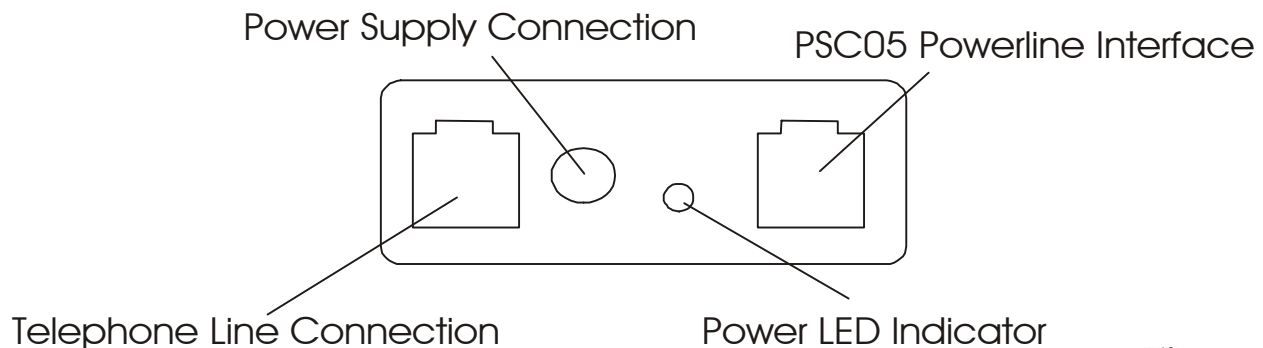
Using any telephone in the home, simply pick up the handset and all the X10 commands are now at your fingertips. This is a great feature when you consider that nearly all telephones you can buy today have some sort of speed dialing buttons on them. Simply use the buttons to program complex strings of light/appliance controls and access them from a push of a telephone button.

When using an on premises phone as a Controller, you do not need to use any security codes. However, when you are calling from outside the home, you will need to dial your access code immediately after the PRO Phone Controller comes on line.

CALLING IN:

The PPH10 has 4 circuit board selector switches to set the Answering Mode:

*Answer 10 seconds from the first ring.



APPLICATIONS

- *Answer after 47 seconds.
- *Never answer (but if an answering machine picks up all you have to do is enter your codes, as the PPH10 is always listening to the line).
- *Call twice; Call the home let it ring once, call right back and the PPH10 answers on the first ring (great for bypassing answering machines and voice mail).

an incoming call.

Because you have the ability to tell the Phone Controller which House Code that you are needing to control, you have the ability to utilize as many X10 PRO Modules as you want around the home for as many systems as you choose and all of it can be individually controlled via the phone line.

Which ever you decide to use, the PPH10 will answer with 5 short tones letting you know that it is on-line. After you hear the on-line tones, you need to punch in your 4 digit pre-assigned access code, followed by * for ON and # for OFF.

Then the House Code you choose to operate (you can access any of 16 House Codes separately) and Unit codes. You can enter multiple Unit Codes in a row and the PPH10 will execute all of them rapidly.

Additionally, you can BRIGHTEN/DIM a Wall Switch Dimmer or a Lamp Module by holding the last digit of the Unit Code that you punch in. For example Unit Code 16:

You would punch in 1 then hold the 6. The light associated with the Unit will come on and start to Dim. When you release the digit, the Dimming stops.

Repressing the 1 and then holding the 6 again will cause the Unit to begin to Brighten until you release the digit.

You will get used to the amount of time that you hold the last digit to make the light level exactly what you choose it to be, even though you cannot see the level.

There are a few other built-in features in the PPH10:

When any telephone in the home goes off-hook, the PPH10 has the ability to send a specific X10 ON command alerting you of telephone usage. The same command goes OFF when the telephone is hung up.

Finally, you can have a specific Unit Code ON/OFF (following the ring) sent whenever the telephone rings alerting the hearing impaired or those in a high noise environment of