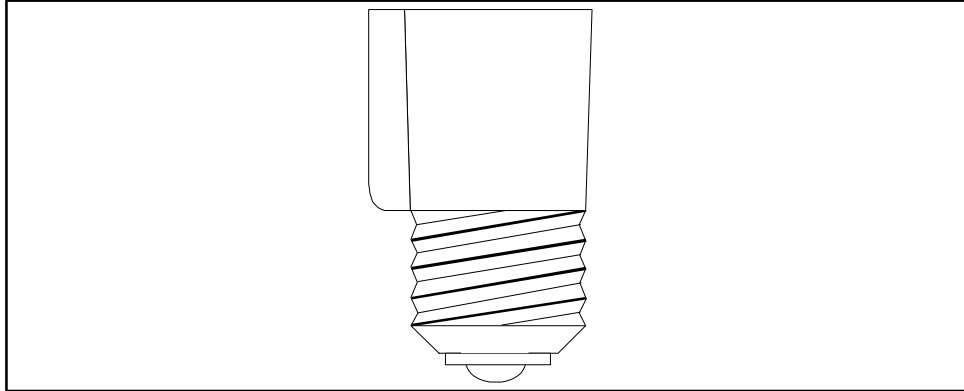


Screw-in Lamp Module

PSM04



The Screw-in Lamp Module is designed to control incandescent loads with an Indoor/Outdoor rating of between 40W and 150W.

Note: Lamp Modules must not be used to control appliances or fluorescent lamps.

The PSM04 is non dimming and has no Local Control Feature, however it DOES respond to "ALL LIGHTS ON/ ALL UNITS OFF."

Setting up the Lamp Module:

Unlike conventional X-10 PRO Modules, the PSM04 Screw-in Lamp Module does not have any House and Unit Code Wheels. You setup the Operation Code from an X-10 PRO Controller (such as a PHC01 Mini Controller) after "power up" and the Screw-in Lamp Module "remembers" it's codes even after power outages. Because of its ability to remember the codes, you can setup the PSM04 at any lamp fixture and then move it to its final destination.

1. Unscrew your light bulb from its socket and screw the PSM04 into the socket.
2. Screw an Incandescent light bulb (40 to 150W) into the PSM04.(Do not use with fluorescent lamps!)
3. Set an X-10 PRO Controller to the House Code that you desire the PSM04 to respond to.
4. Press the "ON" button (corresponding to the Unit Number that you want the PSM04 to respond to) on the Controller, 3 times, at about 1 second intervals. On the third press the bulb will turn on, signifying that the code has been learned.

-Using specific controllers as the "teaching device":

PHC01 Mini Controller, PHC03 Sundowner, PHT01/PHT02 Mini Timer, PHR02 Wireless Controller or PSR01 Security Remote: Simply select the unit number and press the "ON" button three times at about 1 second intervals.

PHC02 Maxi Controller: Press only the "UNIT NUMBER" (1 through 16) three times at about 1 second intervals. It is not necessary to press the "ON" button with this controller.

To use with an X-10 PRO Security System:

- Set the House Code (as previously described) to match the Security Console's house code. This code is downloaded by the security installation firm. The default House Code is A when using the PRO2000.
- For normal lighting control, set the Unit Code to an unused code which can be controlled from the Security Remote, PSR01 (switches 1-4 control Unit Codes 1-4) or any other desired controller.
- To use as the Security Light, set the Unit Code to the match the Unit Code of the Security Light downloaded by the security installation firm. The default Security Light Unit Code is 13 when using the PRO2000.

Note: The Security Light is the light which is flashes on/off during an alarm and which is controlled by the security LIGHT ON and LIGHT OFF buttons on the PRO2000 console, keychain and security remotes).

- Screw a lamp into the Lamp Module and screw the Lamp Module into a convenient AC outlet, preferably an unswitched one to ensure that the lamp will always operate when the alarm is triggered.



Tampa, FL33618

PSM04_02-08/99

Technical Support: 800 832 4003