

**Description:** Wireless Keychain Remote Control Kit that expands your X10 Remote Control capability. Control two sequentially addressed X10 PRO Modules around your house from the convenience of this Remote! Just plug-in the RF Base Transceiver into any nearby outlet, and you'll have total wireless control of any two (2) electrical devices connected to an X10 Receiver Module. The Keychain Remote Control operates up to two (2) sequentially addressed devices (or groups of devices) and includes Dimming and Brightening buttons for use with X10 Dimmable Receiver Modules. The plug-in Base Transceiver receives the Commands and instantly sends them along the home's power lines. The system uses radio frequency (RF) signals instead of infrared (IR), so you won't have to be in direct line-of-sight for proper operation. As long as the Keychain Remote is within 100 feet (ideal conditions) of the plug-in Base Transceiver, it will work like a charm! The Wireless Keychain Remote Controller requires 1 Lithium CR2025 battery, included.

**Specific Requirements:** 120VAC

Built-in Appliance Module - 15A, 1/3HP Rated, any load type will work, Incandescent or Inductive.  
 PAT02 - NO DIMMING from the built-in Controlled Outlet.

**Optional / Supplementary Devices & Modules:**

PHR03 Handheld Remote, PMS03 Occupancy Sensor, PHW04D Stick-on Wall Transmitter, PUR09 Learning TV-style Remote

**X10 Protocol:**

**House Code Dial** - Letters A-P, Default "A"    **Unit Number Dial** - Numbers 1-16, Default "1"

Each X10 Receiver Module is set to a unique Unit Number or to an identical Unit Number as desired.

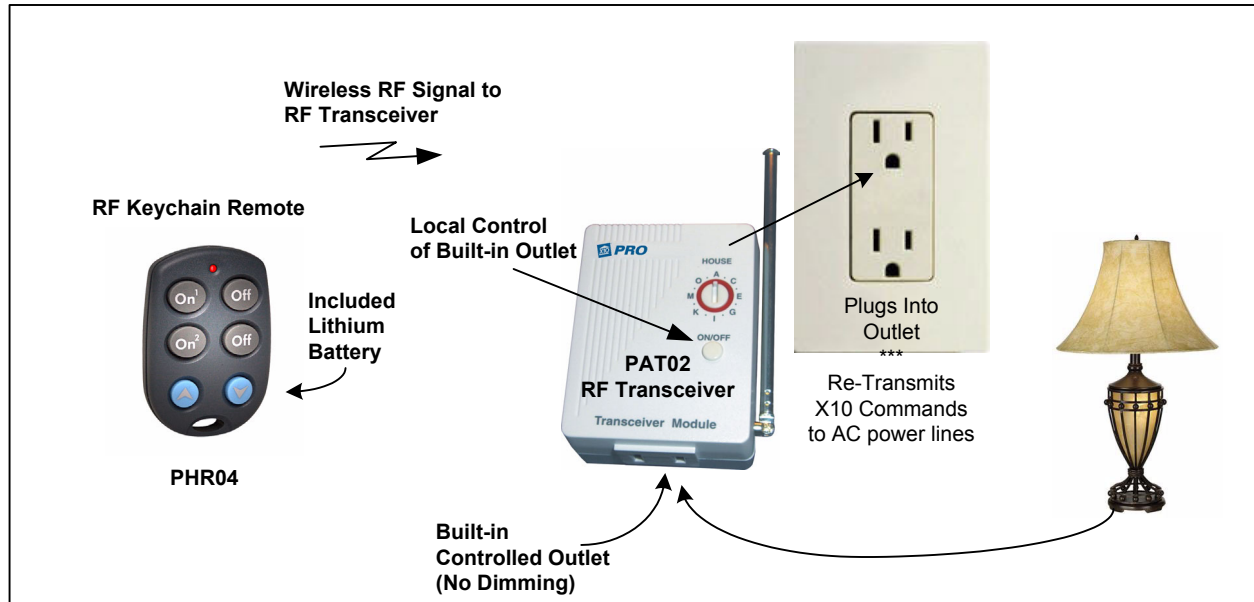
Each X10 Controller operating a specific set of Receiver Modules must be set to the same Letter Code as the Receivers they are controlling.

**Electrical Protocol:**

Nearly all residential homes are wired SPLIT-PHASE. Each 120V Phase is NOT directly connected with the other 120V phase. If after installation, an X10 Receiver does not respond to a remote Controller, then check to ensure that the breaker serving the X10 Receiver is on the same phase as the Controller. If not, the breaker can be changed to the opposite phase. An alternative solution is recommended, to install a Phase Coupler for improving remote communications throughout the home. See [www.x10pro.com](http://www.x10pro.com), then select Technical Support and PLC Troubleshooting.

**Installation:**

1. Set the Transceiver's Letter Code Dial to match the Letter Code on the Remote Controller that will be used with it. (A-P).
2. Plug-in a Lamp or Appliance (Switched ON) into the Controlled Outlet on the bottom of the Transceiver Module and plug-in the Transceiver Module into a convenient AC wall outlet. (The Transceiver's built-in Controlled Outlet responds only to Number Code 1, ON and OFF; additionally, will place all received RF X10 Commands from an X10 PRO RF Remote onto the AC power lines of the home).
3. LOCAL CONTROL: The ON/OFF button controls the built-in Controlled Outlet, toggling ON and OFF, when pressed.
4. Built-in Controlled Outlet does not perform DIMMING function.



**Description:** The RF Keychain Remote (PHR04) used with the PAT02 RF Base Transceiver expands your X10 Remote Control capability. Control your lights and appliances all around your house without leaving your sofa! Just plug-in the RF Base Transceiver (PAT02) into any nearby outlet, and you'll have total wireless control of any electrical device connected to an X10 Receiver Module. The RF Keychain Remote Control operates as many as 2 devices (or groups of devices) and includes Dimming and Brightening buttons for use with X10 Dimmable Receiver Modules. The plug-in Base Transceiver receives the Commands and sends them along the home's electrical power lines. The Keychain Remote uses Radio Frequency (RF) Signals instead of Infrared (IR), so you won't have to be in direct line-of-sight for proper operation. As long as the RF Keychain Remote is within 100 feet (ideal conditions) of the plug-in Base Transceiver, it will work like a charm!

#### Specific Requirements:

RF Keychain Remote requires 1 CR2025 battery, included.

#### Optional / Supplementary Devices & Modules:

PLW01 Standard Incandescent Wall Switch Module, PLM01 Plug-in Lamp Module, PAM01/02 Plug-in 2 and 3-pin Appliance Modules

#### Installation:

In the default state (after first fitting the battery) the PHR04 is set to House Code A. The first (top) two ON/OFF buttons control Modules set to Unit Code A1. The second (middle) two buttons control A2.

1. Plug in an X10 PRO Transceiver (PAT02) and set it to House Code A.
2. To turn ON or OFF X10 PRO Modules set to Unit Code 1 (on House Code A) press the first (top) ON or OFF button. To turn ON or OFF X10 Modules set to Unit Code 2 (on House Code A) press the second (bottom) ON or OFF button. To brighten or dim Lamp Modules or Dimmable Wall Switch Modules press the appropriate ON button first, then press Bright or Dim button.

#### To change the House Code for the first (top) two buttons

1. Press and hold the first (top) ON and OFF buttons at the same time for 2-3 seconds to enter Program Mode (the LED stays on).
2. Press and release the first (top) ON button the appropriate number of times for the House Code you want to set. Once for A, twice for B, etc. The LED blinks off for each press.
3. Press one off the second (bottom) ON or OFF button to return to Normal Mode. The unit will also return to Normal Mode if no keys are pressed for more than 30 seconds.

#### To change the Unit Code for the first (top) two buttons

(the second pair of buttons are always one # higher than the first pair, i.e. if you set the first button to 6, the second button controls 7, etc.).

1. Press and hold the first (top) ON and OFF buttons at the same time for 2-3 seconds to enter Program Mode (the LED stays on).
2. Press and release the first (top) OFF button the appropriate number of times for the Unit Code you want to set. Once for 1, twice for 2, etc. The LED blinks off for each press.
3. Press one of the second (bottom) ON or OFF button to return to Normal Mode. The unit will also return to Normal Mode if no keys are pressed for more than 30 seconds.

You are now able to operate your installed X10 Receiver Modules installed throughout the home by pressing the appropriate button ON or OFF on the Remote that corresponds to a specific Module. If that Module is a dimming Module, then a Bright or DIM Command can be pressed after the initial ON Command telling the Module to adjust its intensity level.

**Note:** Do not dim a Module until the bulbs are dark, this is NOT OFF. Turn dimmable Modules OFF with the appropriate OFF Command.

Note: As with all RF transmitter devices; electrical fields, metal doors or door window frames and appliances can cause interference that can decrease the strength of the transmitted signal. Re-locating the PAT02 RF Base Transceiver may increase your ability to receive the necessary X10 Signals from the PHR04.

**To change the battery:** Pry the unit apart and fit a CR2025 Lithium 3V battery. Observe polarity.