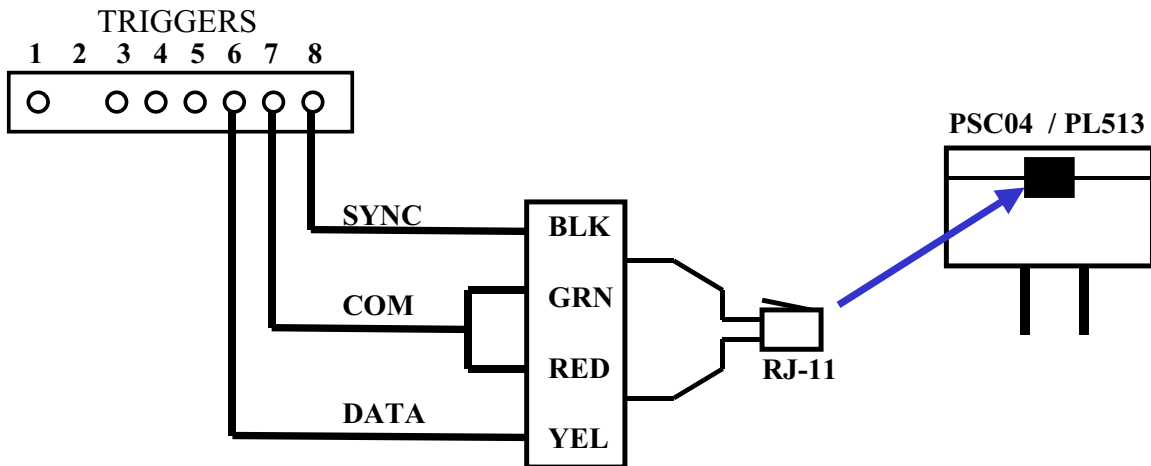
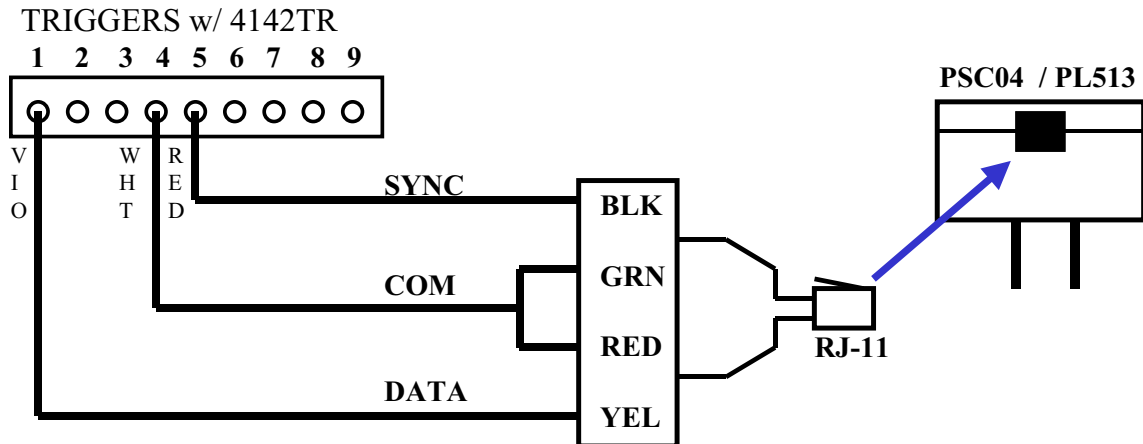


Shown below are the wiring configurations for alternate X-10 control when 4300 transformer is not available. You may use the PSC04, PL513 or 1332x10 if necessary – as shown.

Vista-20P w/ PSC04 or PL513



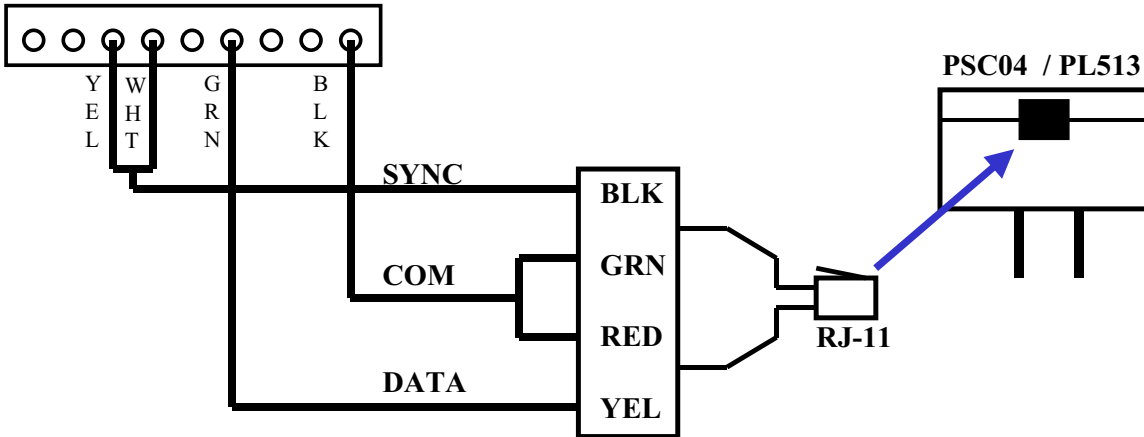
Vista-20 series (not 20p) w/ PSC04 or PL513



Vista-40, 50, 50P, 128B, 128BP, 250BP w/ PSC04 or PL513

TRIGGERS w/ 4142TR

1 2 3 4 5 6 7 8 9



If necessary substitute the PSC04 or PL513 with the 1332x10 Transformer and leave AC terminals unused

